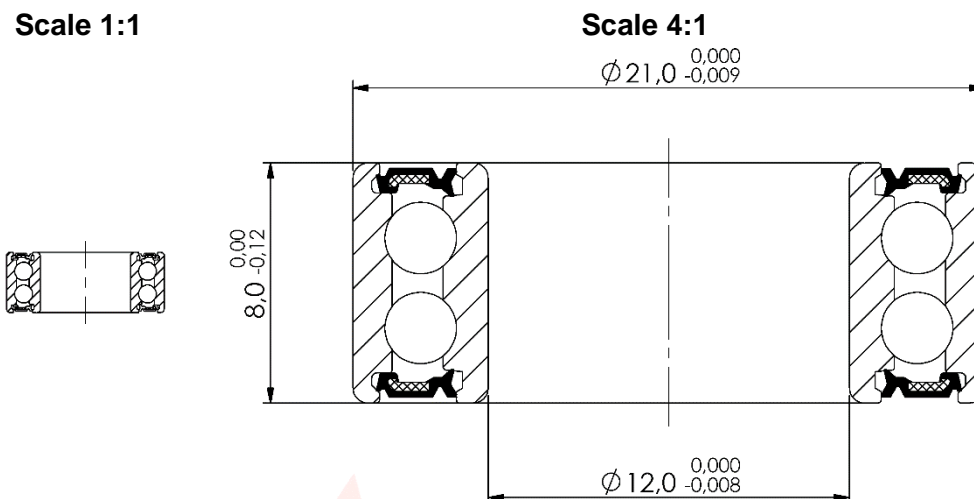


Marwi item: CB-625
Standard bearing number: 3801V LLU
Dimension (mm): 12 x 21 x 8



Technical specifications:

Races:	CrMo
Balls:	CrMo (HRC 61-66)
Retainer:	non (full ball bearing)
Sealing:	Rubber LLU (full contact)
Grease:	Multemp SRL (Kyodo Yushi)
Tolerance:	ABEC-3
Quantity of balls:	21 + 21 pcs
Dimension of balls:	2,381mm (3/32")
Basic dynamic load rating:	6,200 kN
Basic static load rating:	3,570 kN

Applications:

Frame (suspension pivot): Trek Remedy, Trek Fuel, Trek Slash
 and some other brands