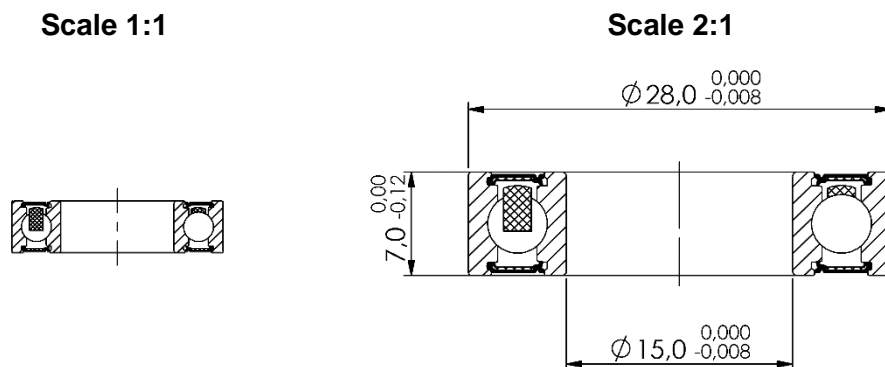


Marwi item: CB-347
Standard bearing number: 6902 ceramic LLB
Dimension (mm): 15 x 28 x 7



Technical specifications:

Races:	CrMo
Balls:	Si ₃ N ₄ Silicon Nitride (HRC 75-89)
Retainer:	Nylon
Sealing:	Rubber LBB (non contact)
Grease:	Multemp PS2 (Kyodo Yushi)
Tolerance:	ABEC-5
Quantity of balls:	10 pcs
Dimension of balls:	3,969mm (5/32")
Basic dynamic load rating:	4,650 kN
Basic static load rating:	2,260 kN

Applications:

Hub / wheel: Specialized, Bontrager, FSA, Easton, Hope, Goldtec, Stan's, Zipp and many other brands